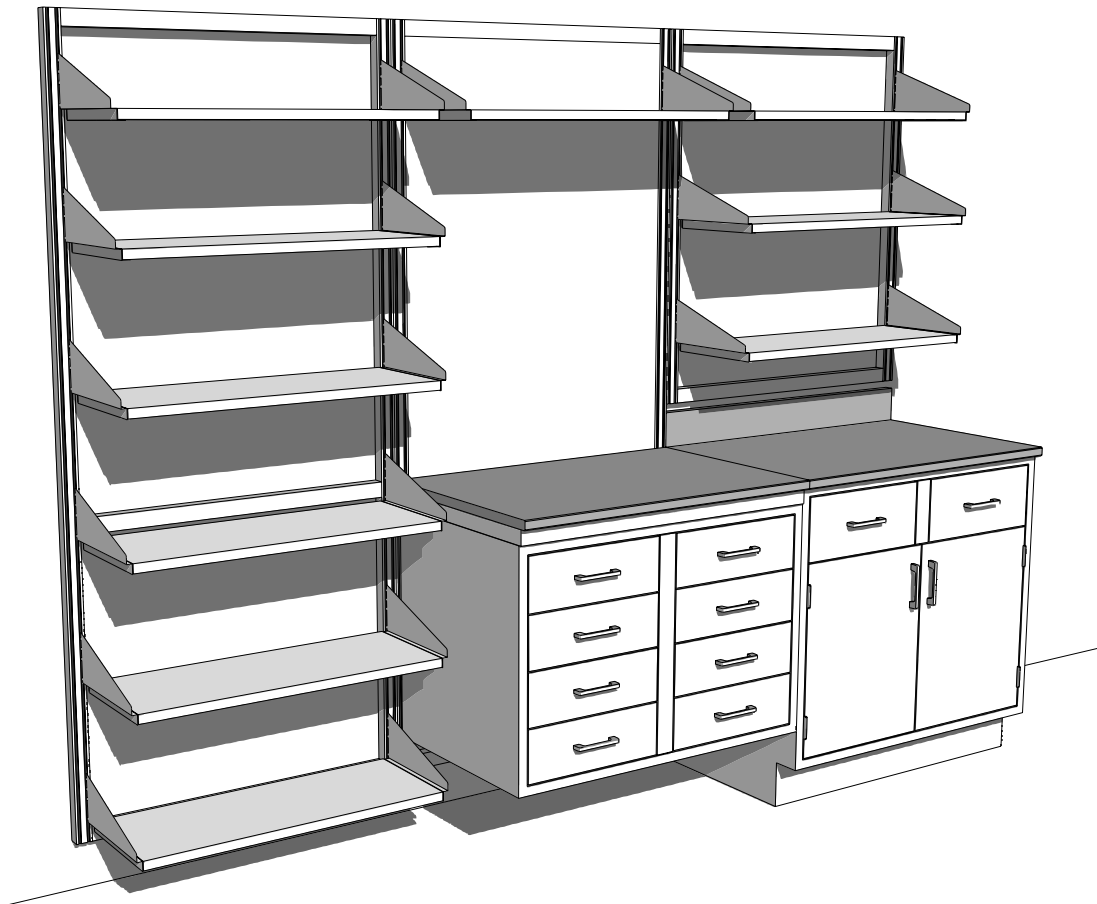


Wall Hanging System

Features:

- Wall Hanging System provides support for a broad combination of accessories, including:
 - adjustable worksurface frames
 - hanging cabinetry — upper and lower
 - adjustable shelving
 - lighting
 - tackboards and markerboards
 - pegboards
- Double Slotted Vertical Uprights match uprights of Alpha modules allowing component interchangeability.
- Available full-height or may be used above floor mounted furniture.
- System design allows shelving to be suspended both above and below the worksurface.
- Wall Hanging System provides support where no plumbing services are required.
- Vertical Uprights mount easily on 8 foot support rails at 6" intervals. Rails may be easily cut to required lengths.
- Available with easy to remove cover panels — either painted steel or fabric covered.

SEFA 10 | Class 2 – Configuration 1 – Category 1



Wall Hanging System Uprights & Rails

Specifications:

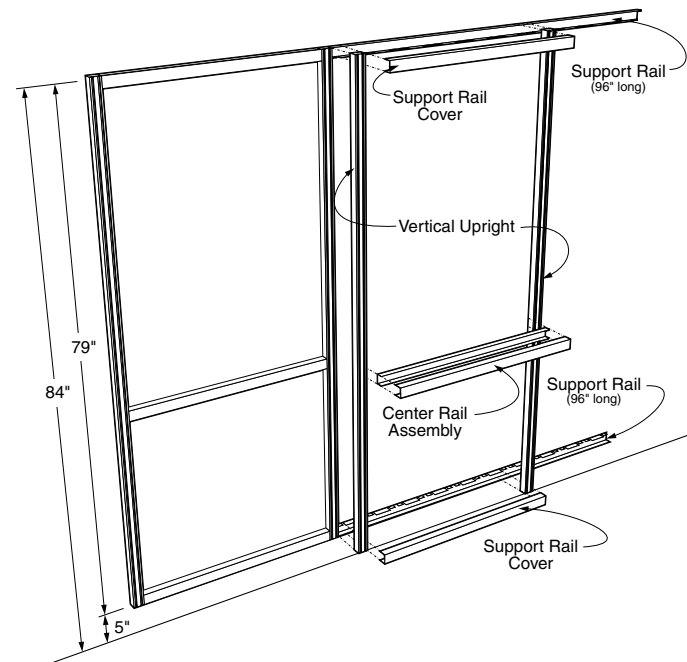
Vertical Uprights are 1 1/4" deep and either 79" or 42" high. They are manufactured with a double-slotted face with slots on 1" centers. They are designed to be mounted between two Support Rails to hold accurate spacing.

Support Rails are available in 8 foot lengths and may be cut to the required length. Support Rails are notched on 6" centers to accept the Vertical Uprights.

Support Rail Covers are required to finish the assembly and must be ordered in pairs to match the Vertical Upright spacing.

Optional Center Rails may be ordered to provide a horizontal member at counter top height. They should be sized to match the Vertical Upright spacing.

Full Height Wall Suspension System



Vertical Upright

F10M0279-00	79"H	pair
--------------------	------	------

Support Rail

F11M0196-00	96"L	each
--------------------	------	------

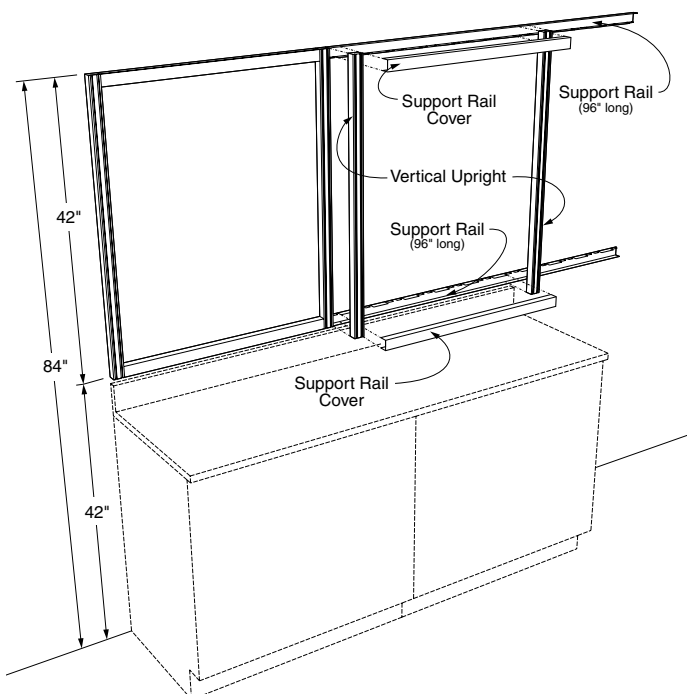
Support Rail Covers

F11M0324-00	24"L	pair
F11M0330-00	30"L	pair
F11M0336-00	36"L	pair
F11M0342-00	42"L	pair
F11M0348-00	48"L	pair
F11M0354-00	54"L	pair
F11M0360-00	60"L	pair
F11M0366-00	66"L	pair
F11M0372-00	72"L	pair

Optional Center Rail Assembly

F11M0224-00	24"L	each
F11M0230-00	30"L	each
F11M0236-00	36"L	each
F11M0242-00	42"L	each
F11M0248-00	48"L	each
F11M0254-00	54"L	each
F11M0260-00	60"L	each
F11M0266-00	66"L	each
F11M0272-00	72"L	each

Above Countertop Wall Suspension System



Vertical Upright

F10M0242-00	42"H	pair
--------------------	------	------

Support Rail

F11M0196-00	96"L	each
--------------------	------	------

Support Rail Covers

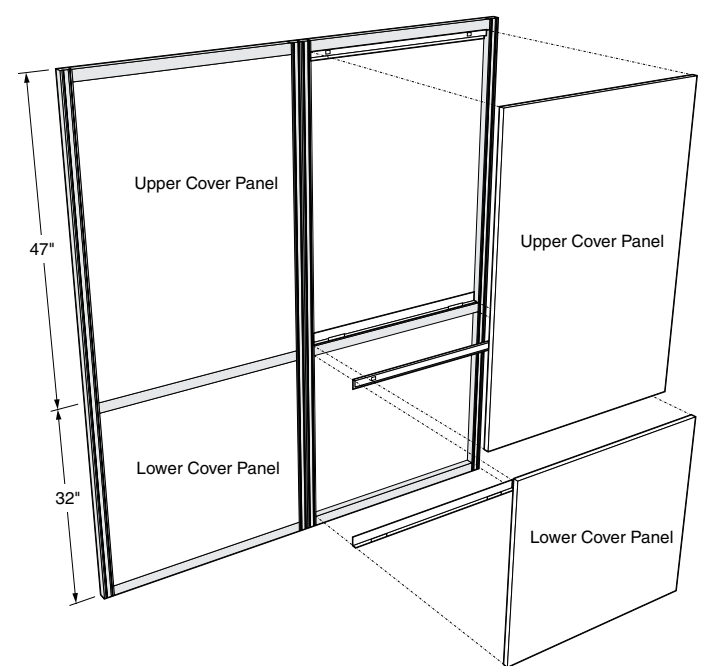
F11M0324-00	24"L	pair
F11M0330-00	30"L	pair
F11M0336-00	36"L	pair
F11M0342-00	42"L	pair
F11M0348-00	48"L	pair
F11M0354-00	54"L	pair
F11M0360-00	60"L	pair
F11M0366-00	66"L	pair
F11M0372-00	72"L	pair

Wall Hanging System Cover Panels

Specifications:

Cover Panels are available in either painted steel or fabric covered cellulose board. They are designed to mount flush with the face of the Vertical Uprights to provide a smooth, even wall surface. Each panel is furnished complete with mounting brackets and hardware to allow it to easily snap into place without use of tools.

Cover Panels for the Full Height Wall Suspension System are separated into Upper and Lower Panels and require the Optional Center Rail Assembly. They may be used individually or as a pair. The Above Countertop Wall Suspension System uses a single Cover Panel. Size Cover Panels to match the Vertical Upright spacing.

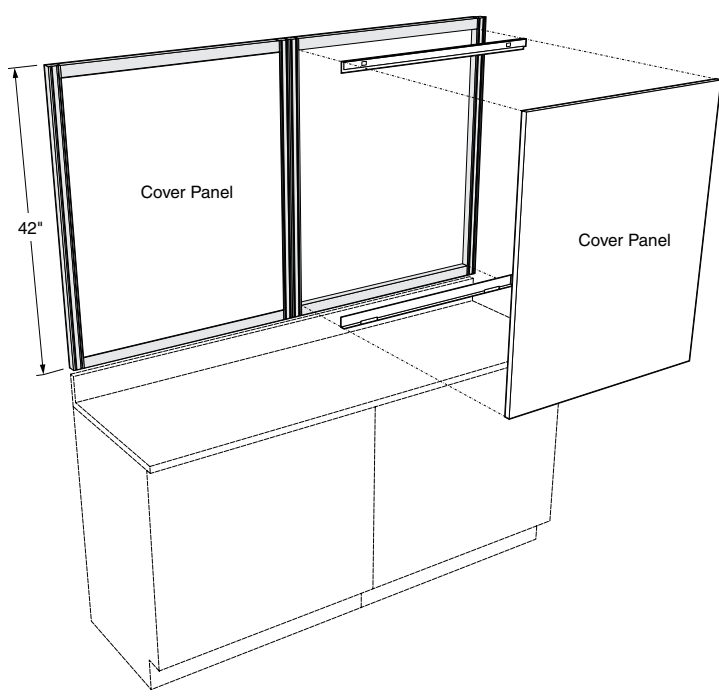


Upper Cover Panels for 79" Uprights

Steel Panels	Fabric Panels	(45 ³ / ₈ " High)
F76M4724-00	F76F4724-00	24"L each
F76M4730-00	F76F4730-00	30"L each
F76M4736-00	F76F4736-00	36"L each
F76M4742-00	F76F4742-00	42"L each
F76M4748-00	F76F4748-00	48"L each
F76M4754-00	F76F4754-00	54"L each
F76M4760-00	F76F4760-00	60"L each
F76M4766-00	F76F4766-00	66"L each
F76M4772-00	F76F4772-00	72"L each

Lower Cover Panels for 79" Uprights

Steel Panels	Fabric Panels	(28 ³ / ₄ " High)
F76M3224-00	F76F3224-00	24"L each
F76M3230-00	F76F3230-00	30"L each
F76M3236-00	F76F3236-00	36"L each
F76M3242-00	F76F3242-00	42"L each
F76M3248-00	F76F3248-00	48"L each
F76M3254-00	F76F3254-00	54"L each
F76M3260-00	F76F3260-00	60"L each
F76M3266-00	F76F3266-00	66"L each
F76M3272-00	F76F3272-00	72"L each



Cover Panels for 42" Uprights

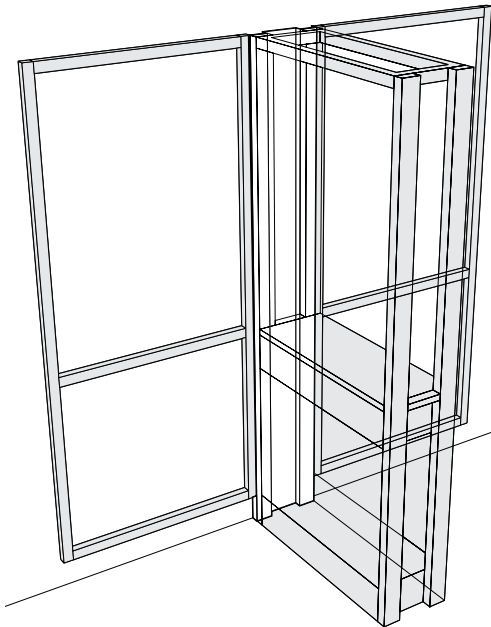
Steel Panels	Fabric Panels	(38 ³ / ₄ " High)
F76M4224-00	F76F4224-00	24"L each
F76M4230-00	F76F4230-00	30"L each
F76M4236-00	F76F4236-00	36"L each
F76M4242-00	F76F4242-00	42"L each
F76M4248-00	F76F4248-00	48"L each
F76M4254-00	F76F4254-00	54"L each
F76M4260-00	F76F4260-00	60"L each
F76M4266-00	F76F4266-00	66"L each
F76M4272-00	F76F4272-00	72"L each

Wall Hanging System Peninsula Modules

Specifications:

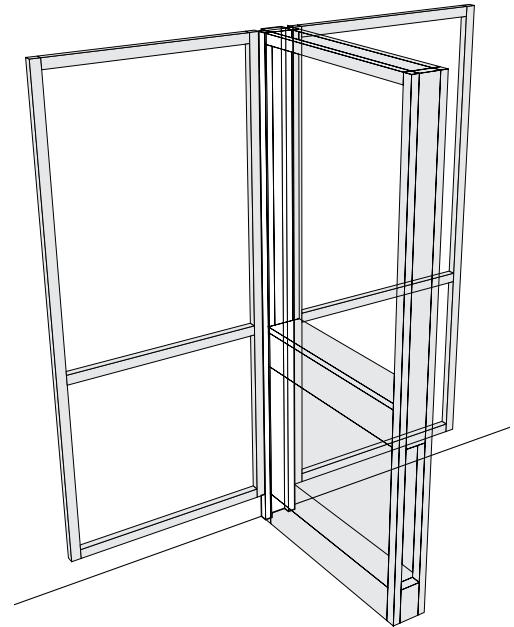
Peninsula Modules allow 6" and 12" Island Modules to be joined to the Wall Hanging System. They are available in three heights, 36", 46", or 84" to match the 6" and 12" Island Structural Modules. Peninsula Modules are formed from cold rolled steel and are finished to match the adjacent modules, uprights and rails.

12" Island Peninsula Module



12" Peninsula Module	
Height	Part Number
36"	F42M3601-00
46"	F42M4601-00
84"	F42M8401-00

6" Partition Peninsula Module



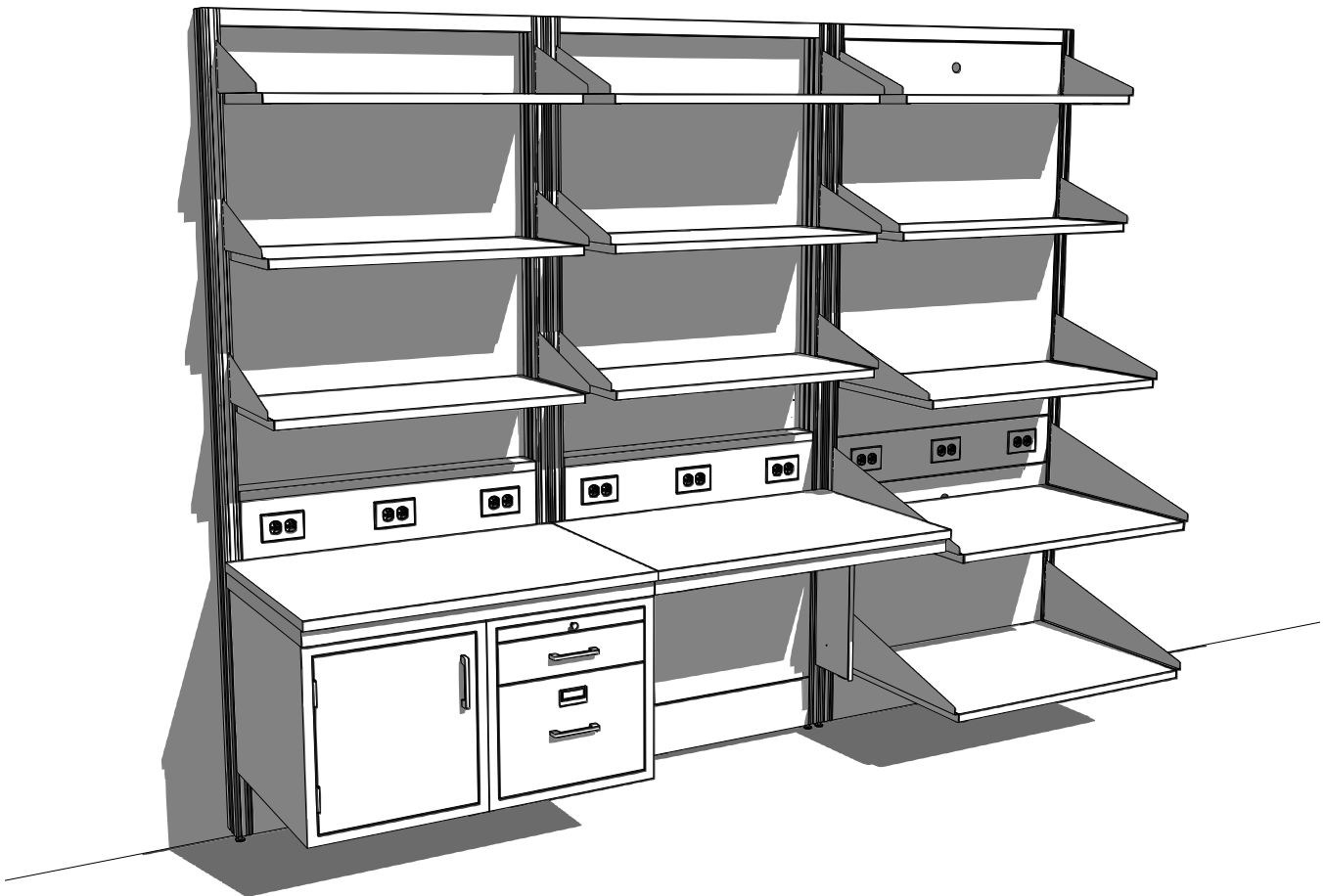
6" Peninsula Module	
Height	Part Number
36"	F46M3601-00
46"	F46M4601-00
84"	F46M8401-00

3" Wall Structural Modules

Features:

- 3" Wall Structural Modules provide support for a broad combination of accessories, including:
 - adjustable worksurface frames
 - adjustable tables
 - hanging cabinetry - upper and lower
 - floor mounted cabinetry
 - adjustable shelving
 - lighting
 - electrical raceway
 - electrical drops
 - tackboards and markerboards
 - pegboards
- 3" Wall Structural Modules provide support where no plumbing services are required.
- System design allows shelving to be suspended both above and below the worksurface.
- Easy and positive structural alignment and attachment to adjacent modules.
- Available with easy to remove access panels. May be ordered without access panels for use with floor mounted base cabinets.
- Provided with floor mounting bracket and anchors.

SEFA 10 | Class 5 – Configuration 1 – Category 2



3" Wall Structural Modules

Specifications:

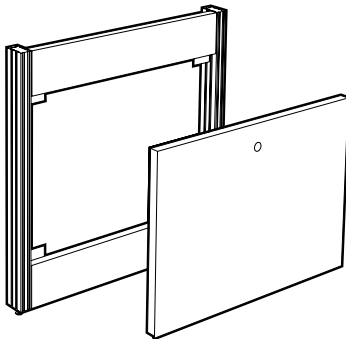
3" Wall Modules are 37" high, with Upper Carrier, 84" high. Both are 3" deep and available in lengths shown.

Modules are available with or without Access Panels. Order without when used with floor mounted base cabinets.

Each module is furnished with hardware for attaching adjacent modules. Wall anchors are not included.

Module Ledge must be ordered separately.

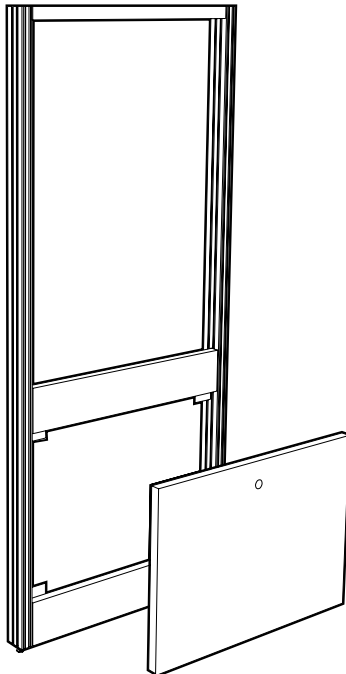
3" Deep Standard Wall Module – 37" High



Length	with Access Panel	without Access Panel
24"	F02M3724-00	F02-3724-00
30"	F02M3730-00	F02-3730-00
36"	F02M3736-00	F02-3736-00
42"	F02M3742-00	F02-3742-00
48"	F02M3748-00 *	F02-3748-00
54"	F02M3754-00 *	F02-3754-00
60"	F02M3760-00 *	F02-3760-00
66"	F02M3766-00 *	F02-3766-00
72"	F02M3772-00 *	F02-3772-00

* Modules 48" long and over are provided with two half-length Access Panels.

3" Deep Standard Wall Module with Upper Carrier – 84" High



Length	with Access Panel	without Access Panel
24"	F32M3724-00	F32-3724-00
30"	F32M3730-00	F32-3730-00
36"	F32M3736-00	F32-3736-00
42"	F32M3742-00	F32-3742-00
48"	F32M3748-00 *	F32-3748-00
54"	F32M3754-00 *	F32-3754-00
60"	F32M3760-00 *	F32-3760-00
66"	F32M3766-00 *	F32-3766-00
72"	F32M3772-00 *	F32-3772-00

* Modules 48" long and over are provided with two half-length Access Panels.

3" Wall Structural Modules

Specifications:

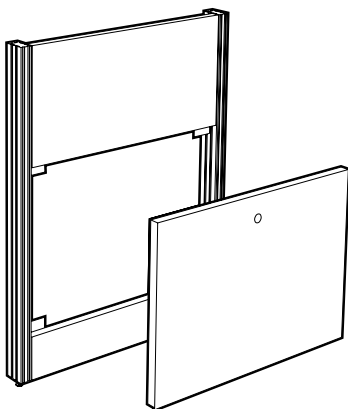
Service Riser Wall Modules are 47" high, with Upper Carrier, 84" high. Both are 3" deep and in lengths shown.

Modules are available with or without Access Panels. Order without when used with floor mounted base cabinets.

Each module furnished with hardware for attaching adjacent modules. Wall anchors are not included.

Module Ledge must be ordered separately.

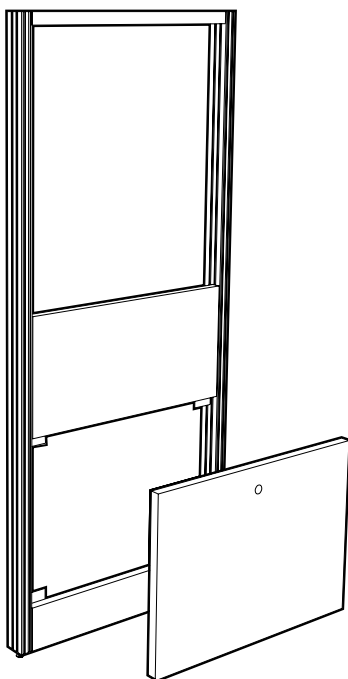
3" Deep Service Riser Wall Module – 47" High



Length	with Access Panel	without Access Panel
24"	F02M4724-00	F02-4724-00
30"	F02M4730-00	F02-4730-00
36"	F02M4736-00	F02-4736-00
42"	F02M4742-00	F02-4742-00
48"	F02M4748-00 *	F02-4748-00
54"	F02M4754-00 *	F02-4754-00
60"	F02M4760-00 *	F02-4760-00
66"	F02M4766-00 *	F02-4766-00
72"	F02M4772-00 *	F02-4772-00

* Modules 48" long and over are provided with two half-length Access Panels.

3" Deep Service Riser Wall Module with Upper Carrier – 84" High



Length	with Access Panel	without Access Panel
24"	F32M4724-00	F32-4724-00
30"	F32M4730-00	F32-4730-00
36"	F32M4736-00	F32-4736-00
42"	F32M4742-00	F32-4742-00
48"	F32M4748-00 *	F32-4748-00
54"	F32M4754-00 *	F32-4754-00
60"	F32M4760-00 *	F32-4760-00
66"	F32M4766-00 *	F32-4766-00
72"	F32M4772-00 *	F32-4772-00

* Modules 48" long and over are provided with two half-length Access Panels.

3" Wall Structural Modules

Specifications:

3" Wall Modules are 37" high, with Upper Carrier, 84" high. Both are 3" deep and available in lengths shown.

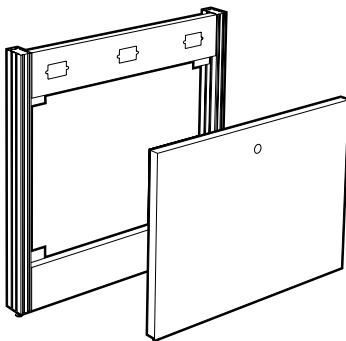
Modules are available with or without Access Panels. Order without when used with floor mounted base cabinets.

24" and 30" long modules have two single-gang electric box cutouts, all other sizes have three.

Each module is furnished with hardware for attaching adjacent modules. Wall anchors are not included.

Module Ledge must be ordered separately.

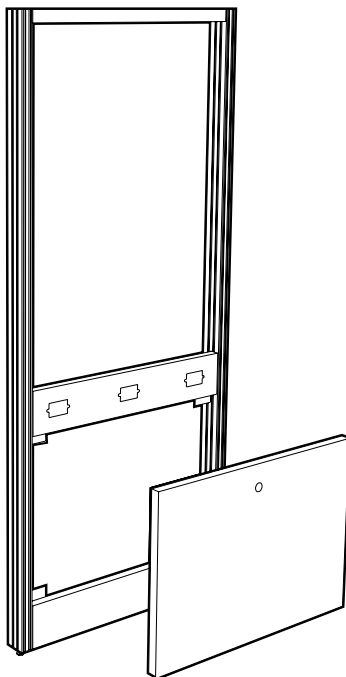
3" Deep Standard Wall Module with Electric Cutouts – 37" High



Length	with Access Panel	without Access Panel
24"	F02M3724-E0	F02-3724-E0
30"	F02M3730-E0	F02-3730-E0
36"	F02M3736-E0	F02-3736-E0
42"	F02M3742-E0	F02-3742-E0
48"	F02M3748-E0 *	F02-3748-E0
54"	F02M3754-E0 *	F02-3754-E0
60"	F02M3760-E0 *	F02-3760-E0
66"	F02M3766-E0 *	F02-3766-E0
72"	F02M3772-E0 *	F02-3772-E0

* Modules 48" long and over are provided with two half-length Access Panels.

3" Deep Standard Wall Module with Electric Cutout & Upper Carrier – 84" High



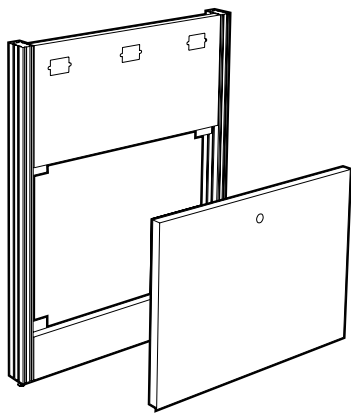
Length	with Access Panel	without Access Panel
24"	F32M3724-E0	F32-3724-E0
30"	F32M3730-E0	F32-3730-E0
36"	F32M3736-E0	F32-3736-E0
42"	F32M3742-E0	F32-3742-E0
48"	F32M3748-E0 *	F32-3748-E0
54"	F32M3754-E0 *	F32-3754-E0
60"	F32M3760-E0 *	F32-3760-E0
66"	F32M3766-E0 *	F32-3766-E0
72"	F32M3772-E0 *	F32-3772-E0

* Modules 48" long and over are provided with two half-length Access Panels.

3" Wall Structural Modules

Specifications:
 Service Riser Wall Modules are 47" high, with Upper Carrier, 84" high. Both are 3" deep and in lengths shown.
 Modules are available with or without Access Panels. Order without when used with floor mounted base cabinets.
 24" and 30" long modules have two single-gang electric box cutouts, all other sizes have three.
 Each module furnished with hardware for attaching adjacent modules. Wall anchors are not included.
Module Ledge must be ordered separately.

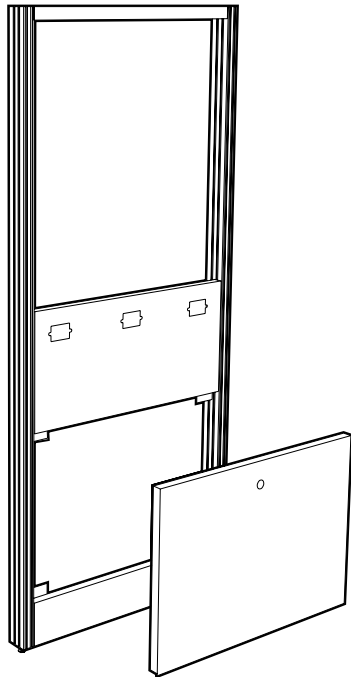
3" Deep Service Riser Wall Module with Electric Cutouts - 47" High



Length	with Access Panel	without Access Panel
24"	F02M4724-E0	F02-4724-E0
30"	F02M4730-E0	F02-4730-E0
36"	F02M4736-E0	F02-4736-E0
42"	F02M4742-E0	F02-4742-E0
48"	F02M4748-E0 *	F02-4748-E0
54"	F02M4754-E0 *	F02-4754-E0
60"	F02M4760-E0 *	F02-4760-E0
66"	F02M4766-E0 *	F02-4766-E0
72"	F02M4772-E0 *	F02-4772-E0

* Modules 48" long and over are provided with two half-length Access Panels.

3" Deep Service Riser Wall Module with Electric Cutouts & Upper Carrier - 84" High



Length	with Access Panel	without Access Panel
24"	F32M4724-E0	F32-4724-E0
30"	F32M4730-E0	F32-4730-E0
36"	F32M4736-E0	F32-4736-E0
42"	F32M4742-E0	F32-4742-E0
48"	F32M4748-E0 *	F32-4748-E0
54"	F32M4754-E0 *	F32-4754-E0
60"	F32M4760-E0 *	F32-4760-E0
66"	F32M4766-E0 *	F32-4766-E0
72"	F32M4772-E0 *	F32-4772-E0

* Modules 48" long and over are provided with two half-length Access Panels.

3" Wall Structural Modules

Specifications:

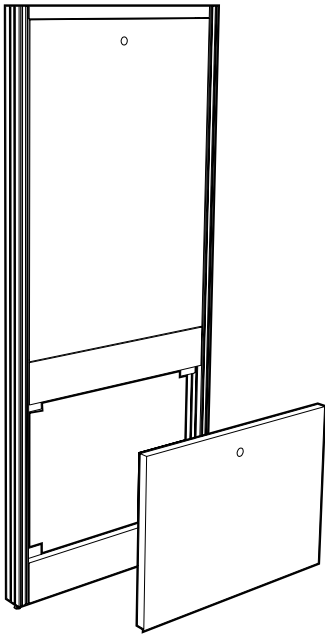
3" Wall Modules with Paneled Upper Carrier are the same as standard 3" Wall Modules; except, they are furnished with an easy to remove panel to close off the area between the Upper Carrier uprights.

When ordered with electric cutouts, 24" and 30" long modules have two single-gang electric box cutouts, all other sizes have three.

Each module furnished with hardware for attaching adjacent modules. Wall anchors are not included.

Module Ledge is not required.

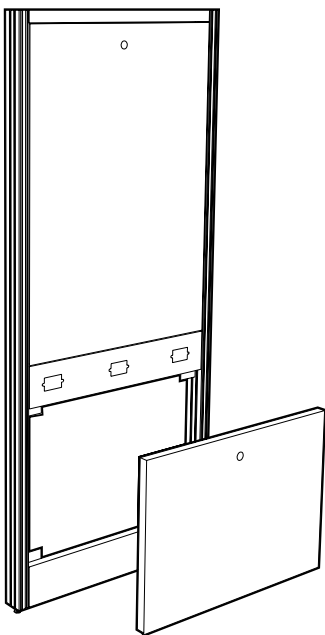
3" Deep Standard Wall Module with Paneled Upper Carrier – 84" High



Length	with Lower Access Panel	without Lower Access Panel
24"	F33M3724-00	F33-3724-00
30"	F33M3730-00	F33-3730-00
36"	F33M3736-00	F33-3736-00
42"	F33M3742-00	F33-3742-00
48"	F33M3748-00 *	F33-3748-00 *
54"	F33M3754-00 *	F33-3754-00 *
60"	F33M3760-00 *	F33-3760-00 *
66"	F33M3766-00 *	F33-3766-00 *
72"	F33M3772-00 *	F33-3772-00 *

* Modules 48" long and over are provided with half-length removable panels.

3" Deep Standard Wall Module with Electric Cutouts & Paneled Upper Carrier – 84" High



Length	with Lower Access Panel	without Lower Access Panel
24"	F33M3724-E0	F33-3724-E0
30"	F33M3730-E0	F33-3730-E0
36"	F33M3736-E0	F33-3736-E0
42"	F33M3742-E0	F33-3742-E0
48"	F33M3748-E0 *	F33-3748-E0 *
54"	F33M3754-E0 *	F33-3754-E0 *
60"	F33M3760-E0 *	F33-3760-E0 *
66"	F33M3766-E0 *	F33-3766-E0 *
72"	F33M3772-E0 *	F33-3772-E0 *

* Modules 48" long and over are provided with half-length removable panels.

3" Wall Structural Modules

Specifications:

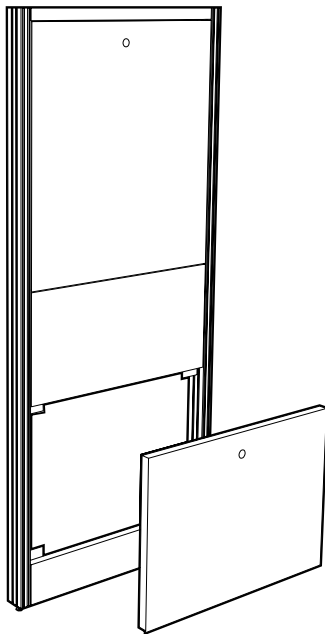
Service Riser Wall Modules with Paneled Upper Carrier are the same as standard Service Riser Wall Modules; except, they are furnished with an easy to remove panel to close off the area between the Upper Carrier uprights.

When ordered with electric cutouts, 24" and 30" long modules have two single-gang electric box cutouts, all other sizes have three.

Each module furnished with hardware for attaching adjacent modules. Wall anchors are not included.

Module Ledge is not required.

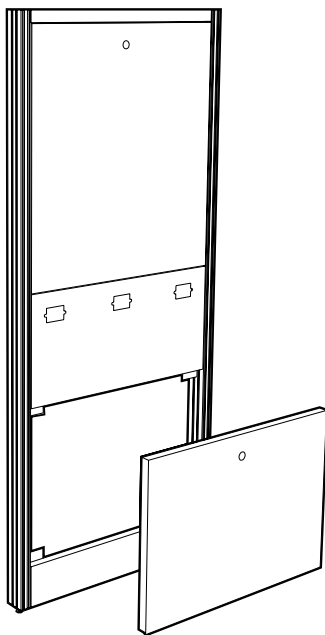
3" Deep Service Riser Wall Module with Paneled Upper Carrier – 84" High



Length	with Lower Access Panel	without Lower Access Panel
24"	F33M4724-00	F33-4724-00
30"	F33M4730-00	F33-4730-00
36"	F33M4736-00	F33-4736-00
42"	F33M4742-00	F33-4742-00
48"	F33M4748-00 *	F33-4748-00 *
54"	F33M4754-00 *	F33-4754-00 *
60"	F33M4760-00 *	F33-4760-00 *
66"	F33M4766-00 *	F33-4766-00 *
72"	F33M4772-00 *	F33-4772-00 *

* Modules 48" long and over are provided with half-length removable panels.

3" Deep Service Riser Wall Module with Electric Cutouts & Paneled Upper Carrier – 84" High



Length	with Lower Access Panel	without Lower Access Panel
24"	F33M4724-E0	F33-4724-E0
30"	F33M4730-E0	F33-4730-E0
36"	F33M4736-E0	F33-4736-E0
42"	F33M4742-E0	F33-4742-E0
48"	F33M4748-E0 *	F33-4748-E0 *
54"	F33M4754-E0 *	F33-4754-E0 *
60"	F33M4760-E0 *	F33-4760-E0 *
66"	F33M4766-E0 *	F33-4766-E0 *
72"	F33M4772-E0 *	F33-4772-E0 *

* Modules 48" long and over are provided with half-length removable panels.

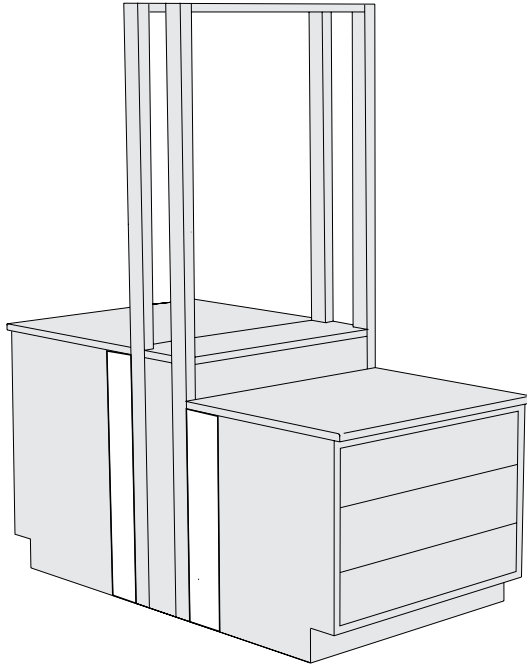
Fixed Cabinetry Attachment

Specifications:

The Fixed Furniture Attachment Kit allows Wall or Island Structural Modules to be solidly fastened to Floor Mounted Base Cabinets. This assembly provides support for the Structural Module and Upper Carrier when it is impractical or undesirable to anchor the Structural Module to the wall or floor.

The kit includes bracing, a pair of steel filler panels, and attachment hardware.

Kit for Attaching Fixed Furniture to Structural Modules



Kit for 30" Deep Worksurface Tops

Height	Part Number
37"	F09M0737-00
31"	F09M0731-00

Kit for 24" Deep Worksurface Tops

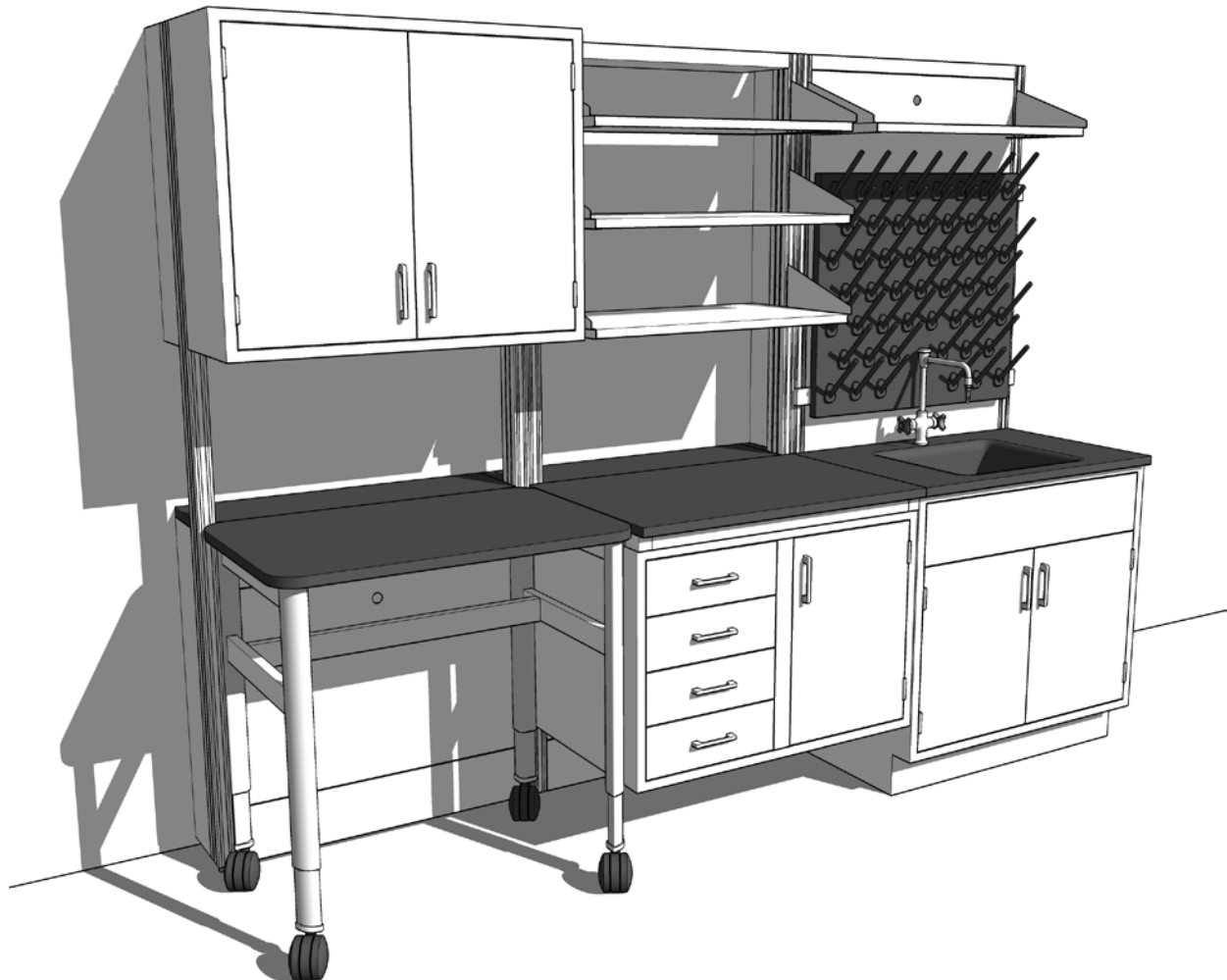
Height	Part Number
37"	F09M0137-00
31"	F09M0131-00

9" Wall Structural Modules

Features:

- 9" Wall Structural Modules provide support for a wide combination of accessories, including:
 - adjustable worksurface frames
 - adjustable tables
 - hanging cabinetry - upper and lower
 - floor mounted cabinetry
 - adjustable shelving
 - lighting
 - electrical and plumbing raceway
 - service drops
 - tackboards and markerboards
 - pegboards
- 9" Wall Structural Modules provide 6" of service space and are built to receive standard pipe hangers for ease of installing service piping and electrical conduit.
- System design allows shelving to be suspended both above and below the worksurface.
- Easy and positive structural alignment and attachment to adjacent modules.
- Available with easy to remove access panels. May be ordered without access panels for use with floor mounted base cabinets.

SEFA 10 | Class 4 – Configuration 1 – Category 2



9" Wall Structural Modules

Specifications:

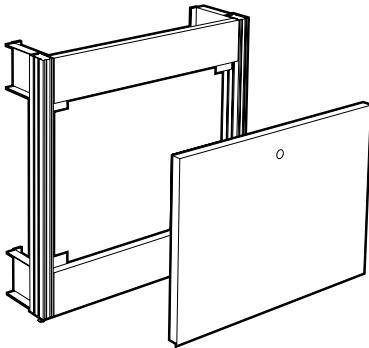
9" Wall Modules are 37" high, with Upper Carrier, 84" high. Both are 9" deep and available in lengths shown.

Modules are available with or without Access Panels. Order without when used with floor mounted base cabinets.

Each module is furnished with hardware for attaching adjacent modules. Wall anchors are not included.

Module Ledge must be ordered separately.

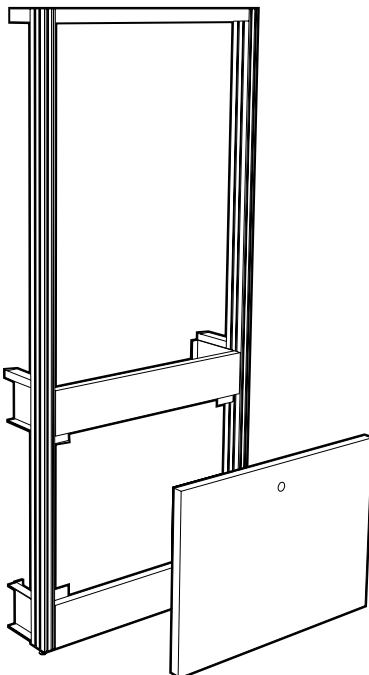
9" Deep Standard Wall Module – 37" High



Length	with Access Panel	without Access Panel
24"	F04M3724-00	F04-3724-00
30"	F04M3730-00	F04-3730-00
36"	F04M3736-00	F04-3736-00
42"	F04M3742-00	F04-3742-00
48"	F04M3748-00 *	F04-3748-00
54"	F04M3754-00 *	F04-3754-00
60"	F04M3760-00 *	F04-3760-00
66"	F04M3766-00 *	F04-3766-00
72"	F04M3772-00 *	F04-3772-00

* Modules 48" long and over are provided with two half-length Access Panels.

9" Deep Standard Wall Module with Upper Carrier – 84" High



Length	with Access Panel	without Access Panel
24"	F34M3724-00	F34-3724-00
30"	F34M3730-00	F34-3730-00
36"	F34M3736-00	F34-3736-00
42"	F34M3742-00	F34-3742-00
48"	F34M3748-00 *	F34-3748-00
54"	F34M3754-00 *	F34-3754-00
60"	F34M3760-00 *	F34-3760-00
66"	F34M3766-00 *	F34-3766-00
72"	F34M3772-00 *	F34-3772-00

* Modules 48" long and over are provided with two half-length Access Panels.

9" Wall Structural Modules

Specifications:

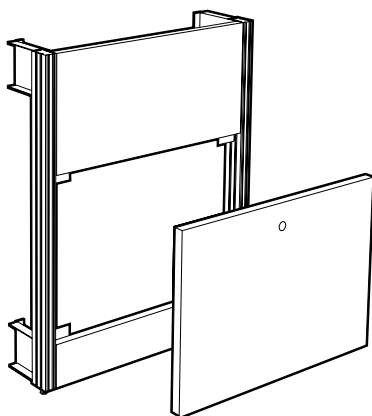
Service Riser Wall Modules are 47" high, with Upper Carrier, 84" high. Both are 9" deep and in lengths shown.

Modules are available with or without Access Panels. Order without when used with floor mounted base cabinets.

Each module is furnished with hardware for attaching adjacent modules. Wall anchors are not included.

Module Ledge must be ordered separately.

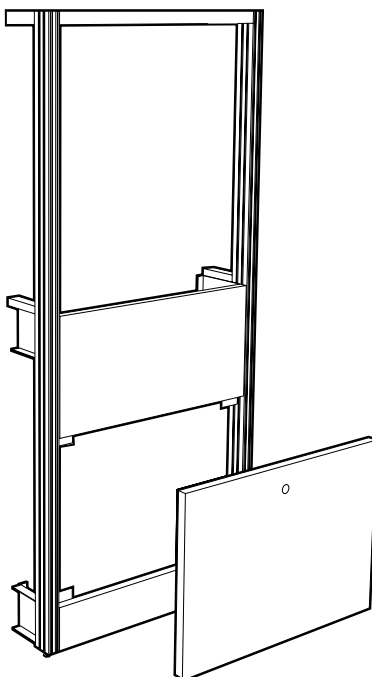
9" Deep Service Riser Wall Module – 47" High



Length	with Access Panel	without Access Panel
24"	F04M4724-00	F04-4724-00
30"	F04M4730-00	F04-4730-00
36"	F04M4736-00	F04-4736-00
42"	F04M4742-00	F04-4742-00
48"	F04M4748-00 *	F04-4748-00
54"	F04M4754-00 *	F04-4754-00
60"	F04M4760-00 *	F04-4760-00
66"	F04M4766-00 *	F04-4766-00
72"	F04M4772-00 *	F04-4772-00

* Modules 48" long and over are provided with two half-length Access Panels.

9" Deep Service Riser Wall Module with Upper Carrier – 84" High



Length	with Access Panel	without Access Panel
24"	F34M4724-00	F34-4724-00
30"	F34M4730-00	F34-4730-00
36"	F34M4736-00	F34-4736-00
42"	F34M4742-00	F34-4742-00
48"	F34M4748-00 *	F34-4748-00
54"	F34M4754-00 *	F34-4754-00
60"	F34M4760-00 *	F34-4760-00
66"	F34M4766-00 *	F34-4766-00
72"	F34M4772-00 *	F34-4772-00

* Modules 48" long and over are provided with two half-length Access Panels.

9" Wall Structural Modules

Specifications:

9" Wall Modules are 37" high, with Upper Carrier, 84" high. Both are 9" deep and available in lengths shown.

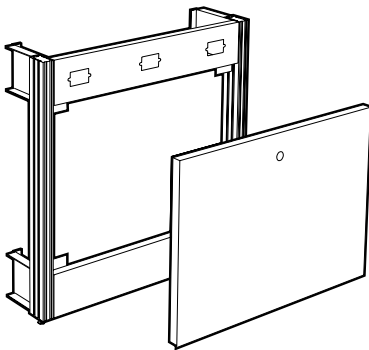
Modules are available with or without Access Panels. Order without when used with floor mounted base cabinets.

24" and 30" long modules have two single-gang electric box cutouts, all other sizes have three.

Each module is furnished with hardware for attaching adjacent modules. Wall anchors are not included.

Module Ledge must be ordered separately.

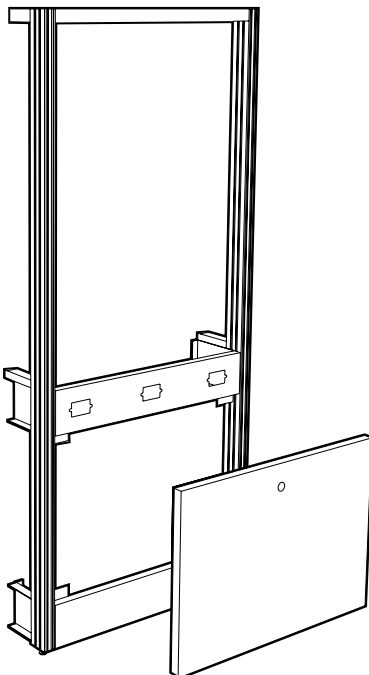
9" Deep Standard Wall Module with Electric Cutouts – 37" High



Length	with Access Panel	without Access Panel
24"	F04M3724-E0	F04-3724-E0
30"	F04M3730-E0	F04-3730-E0
36"	F04M3736-E0	F04-3736-E0
42"	F04M3742-E0	F04-3742-E0
48"	F04M3748-E0 *	F04-3748-E0
54"	F04M3754-E0 *	F04-3754-E0
60"	F04M3760-E0 *	F04-3760-E0
66"	F04M3766-E0 *	F04-3766-E0
72"	F04M3772-E0 *	F04-3772-E0

* Modules 48" long and over are provided with two half-length Access Panels.

9" Deep Standard Wall Module with Electric Cutouts & Upper Carrier – 84" High



Length	with Access Panel	without Access Panel
24"	F34M3724-E0	F34-3724-E0
30"	F34M3730-E0	F34-3730-E0
36"	F34M3736-E0	F34-3736-E0
42"	F34M3742-E0	F34-3742-E0
48"	F34M3748-E0 *	F34-3748-E0
54"	F34M3754-E0 *	F34-3754-E0
60"	F34M3760-E0 *	F34-3760-E0
66"	F34M3766-E0 *	F34-3766-E0
72"	F34M3772-E0 *	F34-3772-E0

* Modules 48" long and over are provided with two half-length Access Panels.

9" Wall Structural Modules

Specifications:

Service Riser Wall Modules are 47" high, with Upper Carrier, 84" high. Both are 9" deep and in lengths shown.

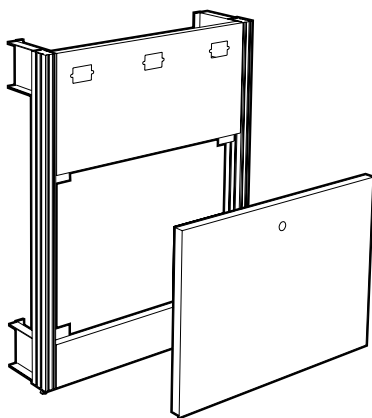
Modules are available with or without Access Panels. Order without when used with floor mounted base cabinets.

24" and 30" long modules have two single-gang electric box cutouts, all other sizes have three.

Each module is furnished with hardware for attaching adjacent modules. Wall anchors are not included.

Module Ledge must be ordered separately.

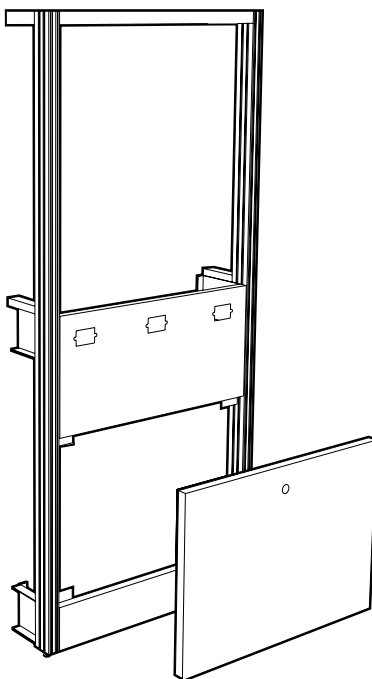
9" Deep Service Riser Wall Module with Electric Cutouts - 47" High



Length	with Access Panel	without Access Panel
24"	F04M4724-E0	F04-4724-E0
30"	F04M4730-E0	F04-4730-E0
36"	F04M4736-E0	F04-4736-E0
42"	F04M4742-E0	F04-4742-E0
48"	F04M4748-E0 *	F04-4748-E0
54"	F04M4754-E0 *	F04-4754-E0
60"	F04M4760-E0 *	F04-4760-E0
66"	F04M4766-E0 *	F04-4766-E0
72"	F04M4772-E0 *	F04-4772-E0

* Modules 48" long and over are provided with two half-length Access Panels.

9" Deep Service Riser Wall Module with Electric Cutouts & Upper Carrier - 84" High



Length	with Access Panel	without Access Panel
24"	F34M4724-E0	F34-4724-E0
30"	F34M4730-E0	F34-4730-E0
36"	F34M4736-E0	F34-4736-E0
42"	F34M4742-E0	F34-4742-E0
48"	F34M4748-E0 *	F34-4748-E0
54"	F34M4754-E0 *	F34-4754-E0
60"	F34M4760-E0 *	F34-4760-E0
66"	F34M4766-E0 *	F34-4766-E0
72"	F34M4772-E0 *	F34-4772-E0

* Modules 48" long and over are provided with two half-length Access Panels.

9" Wall Structural Modules

Specifications:

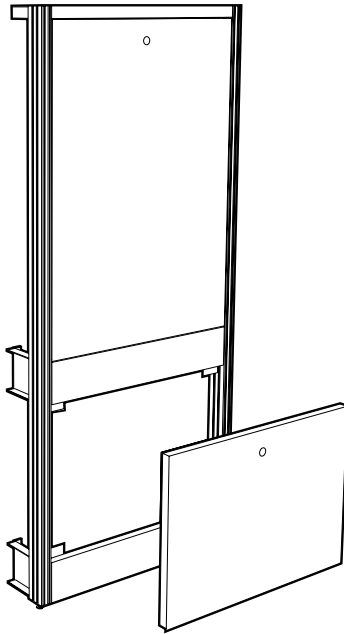
9" Wall Modules with Paneled Upper Carrier are the same as standard 9" Wall Modules; except, they are furnished with an easy to remove panel to close off the area between the upper carrier uprights.

When ordered with electric cutouts, 24" and 30" long modules have two single-gang electric box cutouts, all other sizes have three.

Each module is furnished with hardware for attaching to adjacent modules. Wall anchors are not included.

Module Ledge is not required.

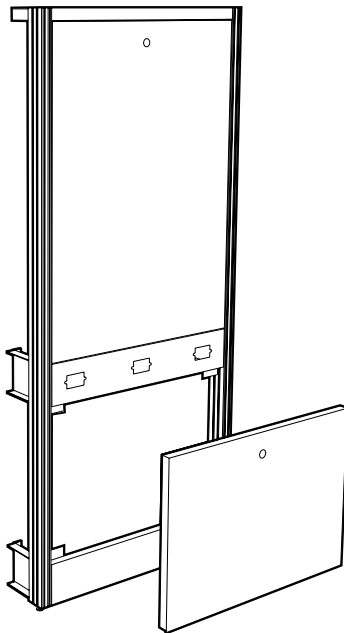
9" Deep Standard Wall Module with Paneled Upper Carrier – 84" High



Length	with Lower Access Panel	without Lower Access Panel
24"	F35M3724-00	F35-3724-00
30"	F35M3730-00	F35-3730-00
36"	F35M3736-00	F35-3736-00
42"	F35M3742-00	F35-3742-00
48"	F35M3748-00 *	F35-3748-00 *
54"	F35M3754-00 *	F35-3754-00 *
60"	F35M3760-00 *	F35-3760-00 *
66"	F35M3766-00 *	F35-3766-00 *
72"	F35M3772-00 *	F35-3772-00 *

* Modules 48" long and over are provided with half-length removable panels.

9" Deep Standard Wall Module with Electric Cutouts & Paneled Upper Carrier – 84" High



Length	with Lower Access Panel	without Lower Access Panel
24"	F35M3724-E0	F35-3724-E0
30"	F35M3730-E0	F35-3730-E0
36"	F35M3736-E0	F35-3736-E0
42"	F35M3742-E0	F35-3742-E0
48"	F35M3748-E0 *	F35-3748-E0 *
54"	F35M3754-E0 *	F35-3754-E0 *
60"	F35M3760-E0 *	F35-3760-E0 *
66"	F35M3766-E0 *	F35-3766-E0 *
72"	F35M3772-E0 *	F35-3772-E0 *

* Modules 48" long and over are provided with half-length removable panels.

9" Wall Structural Modules

Specifications:

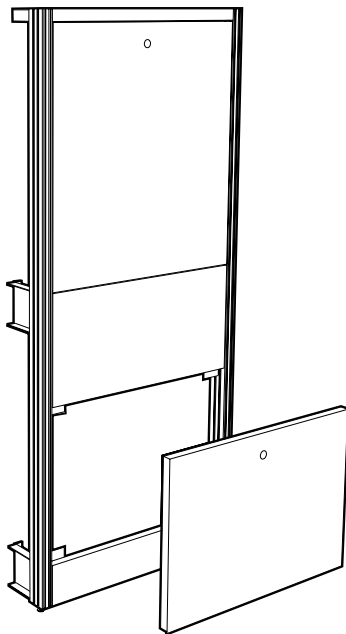
Service Riser Wall Modules with Paneled Upper Carrier are the same as standard Service Riser Wall Modules; except, they are furnished with an easy to remove panel to close off the area between the upper carrier uprights.

When ordered with electric cutouts, 24" and 30" long modules have two single-gang electric box cutouts, all other sizes have three.

Each module is furnished with hardware for attaching to adjacent modules. Wall anchors are not included.

Module Ledge is not required.

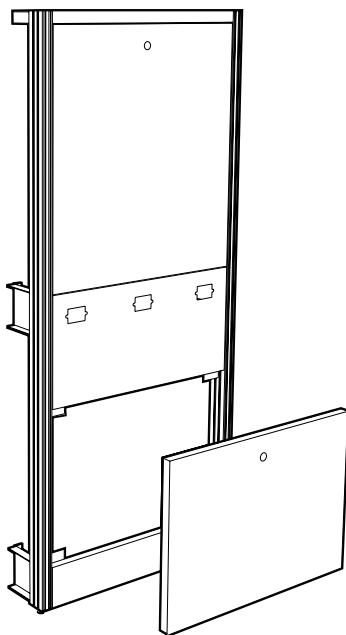
9" Deep Service Riser Wall Module with Paneled Upper Carrier – 84" High



Length	with Lower Access Panel	without Lower Access Panel
24"	F35M4724-00	F35-4724-00
30"	F35M4730-00	F35-4730-00
36"	F35M4736-00	F35-4736-00
42"	F35M4742-00	F35-4742-00
48"	F35M4748-00 *	F35-4748-00 *
54"	F35M4754-00 *	F35-4754-00 *
60"	F35M4760-00 *	F35-4760-00 *
66"	F35M4766-00 *	F35-4766-00 *
72"	F35M4772-00 *	F35-4772-00 *

* Modules 48" long and over are provided with half-length removable panels.

9" Deep Service Riser Wall Module with Electric Cutouts & Paneled Upper Carrier – 84" High



Length	with Lower Access Panel	without Lower Access Panel
24"	F35M4724-E0	F35-4724-E0
30"	F35M4730-E0	F35-4730-E0
36"	F35M4736-E0	F35-4736-E0
42"	F35M4742-E0	F35-4742-E0
48"	F35M4748-E0 *	F35-4748-E0 *
54"	F35M4754-E0 *	F35-4754-E0 *
60"	F35M4760-E0 *	F35-4760-E0 *
66"	F35M4766-E0 *	F35-4766-E0 *
72"	F35M4772-E0 *	F35-4772-E0 *

* Modules 48" long and over are provided with half-length removable panels.

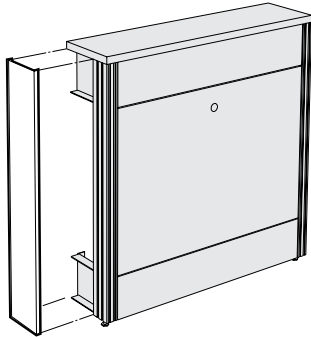
9" Wall Structural Modules

Specifications:

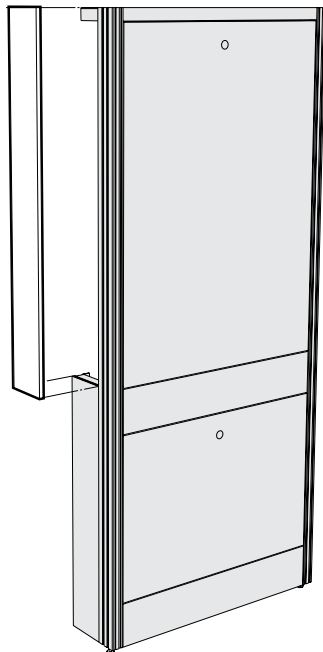
Wall Module End Fillers are designed to close off the end of Wall Modules to offer a more finished appearance. They are available in a variety of sizes that may be combined to cover the entire end of the assembly or just a portion.

Wall Module End Fillers are provided with all required installation hardware.

9" Deep Wall Module End Fillers



Height	Lower Filler
35"	F00M0936-00
45"	F00M0946-00

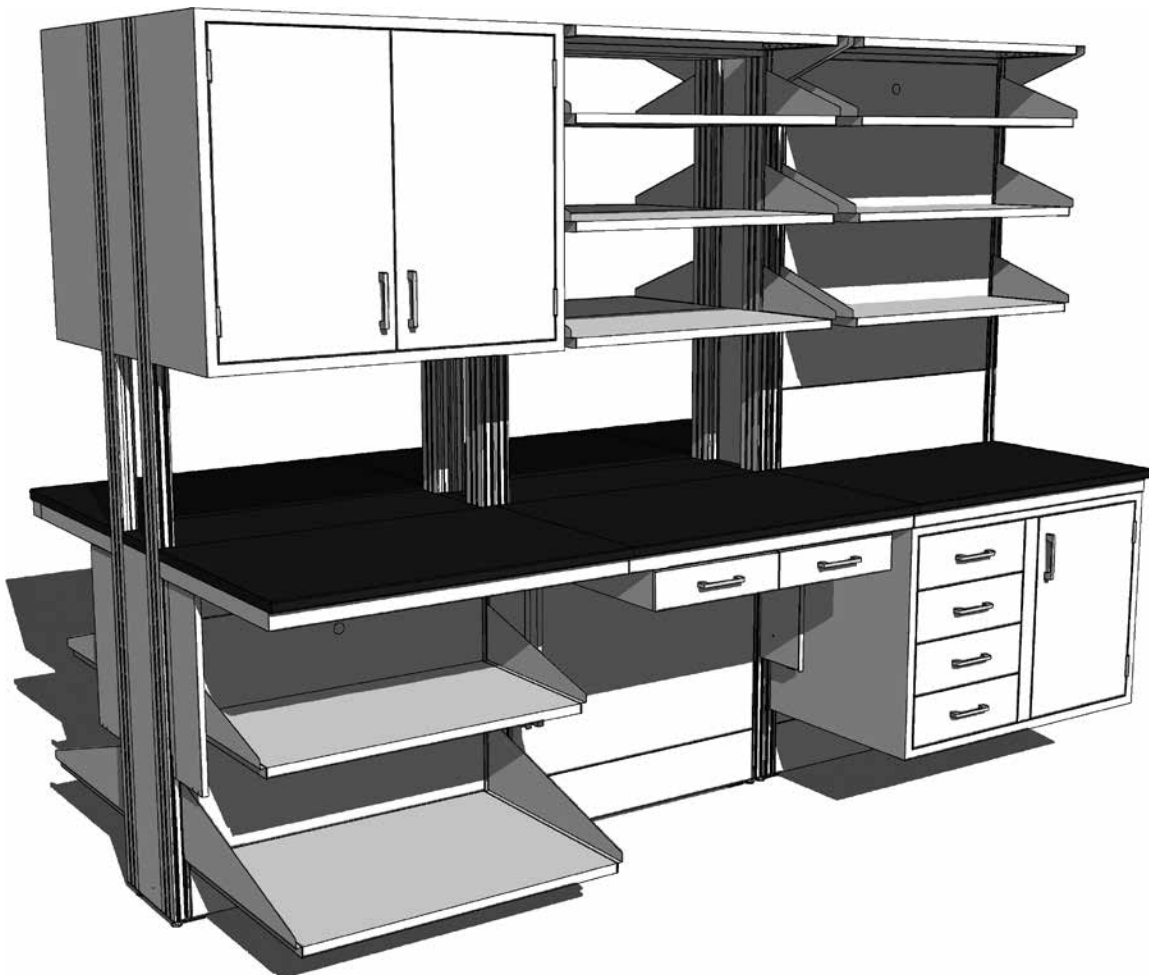


Height	Upper Filler
24"	F00M0924-00
30"	F00M0930-00
38"	F00M0938-00
48"	F00M0948-00

Shelving - Worksurface & Table Frames

Features:

- Adjustable Module Shelving
 - available in five depths
 - available in steel, wood, and phenolic resin
 - available with and without retaining lips
 - adjustable on 1" increments
 - may be mounted above or below worksurface frames
- Adjustable Core Shelving
 - infinitely height adjustable
 - available in steel only
- Adjustable Height Cantilevered Worksurface Frame
 - supports Worksurface Top and Suspended Base Cabinets
 - fabricated of 1⁵/₈" steel channels
 - easily positioned on 1" increments
- Adjustable Height Mobile Table Frame



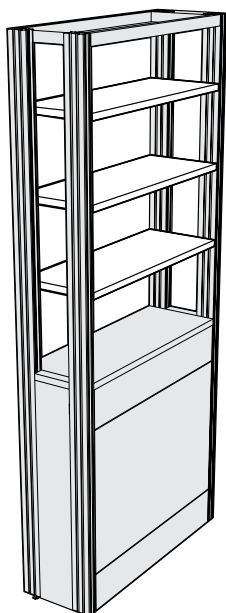
Adjustable Module Shelving

Specifications:

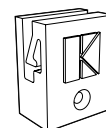
Upper Carrier Module Adjustable Core Shelves are formed of 16 gauge cold rolled steel. They are supported by four Support Clips that engage the side slots on the Module Uprights making the shelves infinitely adjustable. Available for 12" Island Module Upper Carriers only.

Adjustable Top Shelves are formed of 16 gauge cold rolled steel and are supported from below by 11 gauge steel brackets that engage the outer slot of the double slotted Structure Module Upright. Designed to be used at the top of the Module Upper Carrier.

Upper Carrier Module Adjustable Core Shelves Core Shelf Support Clip



Length	Core Shelf
24"	F29M1224-01
30"	F29M1230-01
36"	F29M1236-01
42"	F29M1242-01
48"	F29M1248-01
54"	F29M1254-01
60"	F29M1260-01
66"	F29M1266-01
72"	F29M1272-01

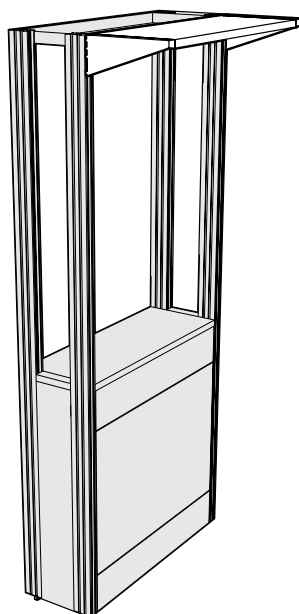


F69-0201-00 pair

May also be used to add support to Pass-Thru Shelves. Furnished in pairs with bolt and nut to attach to side slots in Module Uprights.

Furnished standard with Upper Carrier Module Adjustable Core Shelves.

Upper Carriers Module Adjustable Top Shelves



Length	12" Deep	9" Deep
24"	F28M1224-00	F28M0924-00
30"	F28M1230-00	F28M0930-00
36"	F28M1236-00	F28M0936-00
42"	F28M1242-00	F28M0942-00
48"	F28M1248-00	F28M0948-00
54"	F28M1254-00	F28M0954-00
60"	F28M1260-00	F28M0960-00
66"	F28M1266-00	F28M0966-00
72"	F28M1272-00	F28M0972-00

Adjustable Module Shelf Assembly

Specifications:

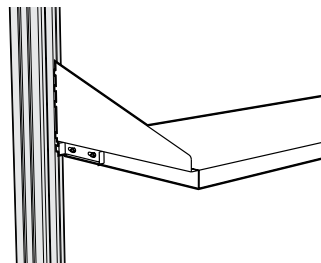
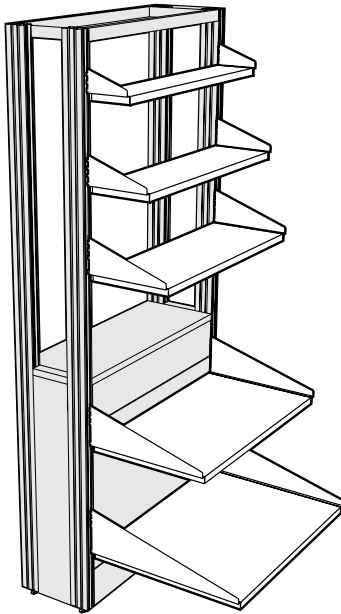
Adjustable Module Shelf Assemblies consist of a pair of 11 gauge steel Shelf Brackets and a Shelf. The Shelf Bracket engages the inner slot of the double slotted Structural Module Upright and is adjustable on 1" centers. Shelves are available in Painted Steel, Veneer Plywood, or Phenolic Resin.

Painted Steel Shelves – 1" thick, formed from 16 gauge cold rolled steel.

Veneer Plywood Shelves – 1" thick hardwood plywood with matching veneer on all exposed surfaces.

Phenolic Resin – 1" thick black phenolic resin.

Open Front Adjustable Module Shelves



Optional Shelf Locking Tab

Sliding tab mounted on Shelf Bracket locks Shelf into Module Upright to keep it from being accidentally removed.

To specify, add an **K** to the end of the Shelf Assembly part number.

Example: **F21M1236-00,K**

	Length	Painted Steel	Veneer Plywood	Phenolic Resin
6" DEEP SHELF 6" Deep Bracket	24"	F21M0624-00	F21W0624-0_	F21T0624-00
	30"	F21M0630-00	F21W0630-0_	F21T0630-00
	36"	F21M0636-00	F21W0636-0_	F21T0636-00
	42"	F21M0642-00	F21W0642-0_	F21T0642-00
	48"	F21M0648-00	F21W0648-0_	F21T0648-00
	54"	F21M0654-00		
	60"	F21M0660-00		
	66"	F21M0666-00		
9" DEEP SHELF 9" Deep Bracket	24"	F21M0924-00	F21W0924-0_	F21T0924-00
	30"	F21M0930-00	F21W0930-0_	F21T0930-00
	36"	F21M0936-00	F21W0936-0_	F21T0936-00
	42"	F21M0942-00	F21W0942-0_	F21T0942-00
	48"	F21M0948-00	F21W0948-0_	F21T0948-00
	54"	F21M0954-00		
	60"	F21M0960-00		
	66"	F21M0966-00		
12" DEEP SHELF 12" Deep Bracket	24"	F21M1224-00	F21W1224-0_	F21T1224-00
	30"	F21M1230-00	F21W1230-0_	F21T1230-00
	36"	F21M1236-00	F21W1236-0_	F21T1236-00
	42"	F21M1242-00	F21W1242-0_	F21T1242-00
	48"	F21M1248-00	F21W1248-0_	F21T1248-00
	54"	F21M1254-00		
	60"	F21M1260-00		
	66"	F21M1266-00		
18" DP SHELF 18" Deep Bracket	24"	F21M1824-00	F21W1824-0_	F21T1824-00
	30"	F21M1830-00	F21W1830-0_	F21T1830-00
	36"	F21M1836-00	F21W1836-0_	F21T1836-00
	42"	F21M1842-00	F21W1842-0_	F21T1842-00
	48"	F21M1848-00	F21W1848-0_	F21T1848-00
	60"	F21M1860-00		
24" DP SHELF 24" Deep Bracket	24"	F21M2424-00	F21W2424-0_	F21T2424-00
	30"	F21M2430-00	F21W2430-0_	F21T2430-00
	36"	F21M2436-00	F21W2436-0_	F21T2436-00
	42"	F21M2442-00	F21W2442-0_	F21T2442-00
	48"	F21M2448-00	F21W2448-0_	F21T2448-00
	60"	F21M2460-00		

To specify Veneer Plywood Species replace blank at end of part number with number that indicates material required.

Veneer Plywood Material Options

- 1 = Red Oak
- 2 = White Maple
- 3 = Steamed Beech
- 5 = FSC® Red Oak
- 6 = FSC® White Maple
- 8 = FSC® St'md Beech

Adjustable Pass-thru Shelf Assemblies

Specifications:

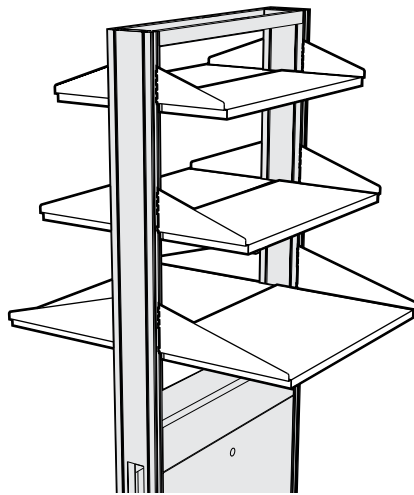
Pass-thru Module Shelf Assemblies for 6" Partition Modules have Shelves three inches deeper than the Shelf Bracket to allow the shelf to pass through the module core and form a continuous surface. These shelves may also be moved forward and mounted to form a 2" cord gap between the shelves. Shelf Brackets are 11 gauge steel, adjustable on 1" centers.

Painted Steel Shelves – 1" thick, formed from 16 gauge cold rolled steel.

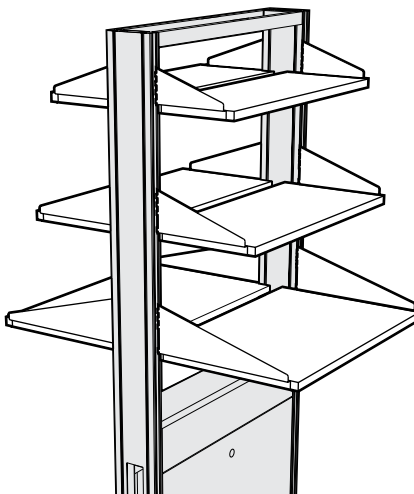
Veneer Plywood Shelves – 1" thick hardwood plywood with matching veneer on all exposed surfaces.

Phenolic Resin – 1" thick black phenolic resin.

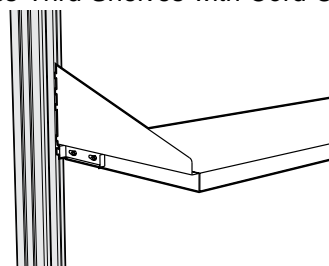
Adjustable Pass-thru Shelf Assemblies for 6" Partition Modules



Pass-Thru Shelves



Pass-Thru Shelves with Cord Gap



Optional Shelf Locking Tab

	Length	Painted Steel	Veneer Plywood	Phenolic Resin
9" DEEP SHELF 6" Deep Bracket	24"	F21M0624-30	F21W0624-3_	F21T0624-30
	30"	F21M0630-30	F21W0630-3_	F21T0630-30
	36"	F21M0636-30	F21W0636-3_	F21T0636-30
	42"	F21M0642-30	F21W0642-3_	F21T0642-30
	48"	F21M0648-30	F21W0648-3_	F21T0648-30
	54"	F21M0654-30		
	60"	F21M0660-30		
	66"	F21M0666-30		
12" DEEP SHELF 9" Deep Bracket	24"	F21M0924-30	F21W0924-3_	F21T0924-30
	30"	F21M0930-30	F21W0930-3_	F21T0930-30
	36"	F21M0936-30	F21W0936-3_	F21T0936-30
	42"	F21M0942-30	F21W0942-3_	F21T0942-30
	48"	F21M0948-30	F21W0948-3_	F21T0948-30
	54"	F21M0954-30		
	60"	F21M0960-30		
	66"	F21M0966-30		
15" DEEP SHELF 12" Deep Bracket	24"	F21M1224-30	F21W1224-3_	F21T1224-30
	30"	F21M1230-30	F21W1230-3_	F21T1230-30
	36"	F21M1236-30	F21W1236-3_	F21T1236-30
	42"	F21M1242-30	F21W1242-3_	F21T1242-30
	48"	F21M1248-30	F21W1248-3_	F21T1248-30
	54"	F21M1254-30		
	60"	F21M1260-30		
	66"	F21M1266-30		
21" DEEP SHELF 18" Deep Bracket	24"	F21M1824-30	F21W1824-3_	F21T1824-30
	30"	F21M1830-30	F21W1830-3_	F21T1830-30
	36"	F21M1836-30	F21W1836-3_	F21T1836-30
	42"	F21M1842-30	F21W1842-3_	F21T1842-30
	48"	F21M1848-30	F21W1848-3_	F21T1848-30
	60"	F21M1860-30		

To specify Veneer Plywood Species replace blank at end of part number with number that indicates material required.

Veneer Plywood Material Options

- 1 = Red Oak -5 = FSC® Red Oak
- 2 = White Maple -6 = FSC® White Maple
- 7 = Steamed Beech -8 = FSC® St'md Beech

Optional Shelf Locking Tab

Sliding tab mounted on Shelf Bracket locks Shelf into Module Upright to keep it from being accidentally removed.

To specify, add an **K** to the end of the Shelf Assembly part number. Example: **F21M1236-00,K**

Adjustable Pass-thru Shelf Assemblies

Specifications:

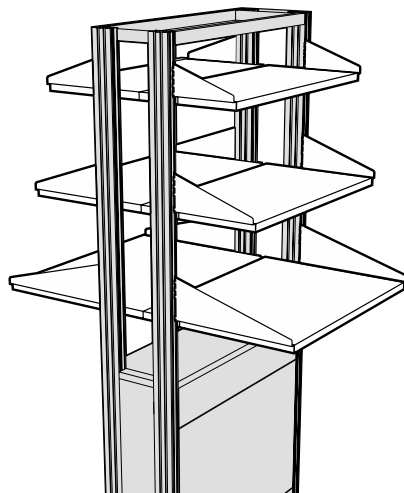
Pass-thru Shelf Assemblies for 12" Island Modules are six inches deeper than the Shelf Bracket to allow the Shelf to pass through the module core and form a continuous surface. These shelves may also be moved forward and mounted to form a 2" cord gap between the shelves. Shelf Brackets are 11 gauge steel, adjustable on 1" centers.

Painted Steel Shelves – 1" thick, formed from 16 gauge cold rolled steel.

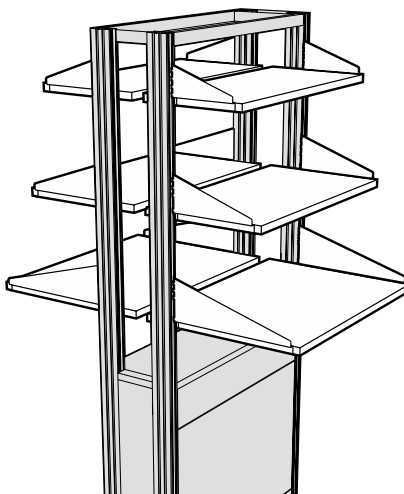
Veneer Plywood Shelves – 1" thick hardwood plywood with matching veneer on all exposed surfaces.

Phenolic Resin – 1" thick phenolic resin.

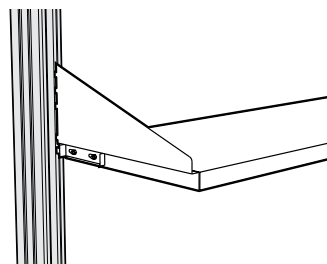
Adjustable Pass-thru Shelf Assemblies for 12" Island Modules



Pass-Thru Shelves



Pass-Thru Shelves with Cord Gap



Optional Shelf Locking Tab

	Length	Painted Steel	Veneer Plywood	Phenolic Resin
15" DEEP SHELF 9" Deep Bracket	24"	F21M0924-60	F21W0924-6_	F21T0924-60
	30"	F21M0930-60	F21W0930-6_	F21T0930-60
	36"	F21M0936-60	F21W0936-6_	F21T0936-60
	42"	F21M0942-60	F21W0942-6_	F21T0942-60
	48"	F21M0948-60	F21W0948-6_	F21T0948-60
	54"	F21M0954-60		
	60"	F21M0960-60		
	66"	F21M0966-60		
	72"	F21M0972-60		
18" DEEP SHELF 12" Deep Bracket	24"	F21M1224-60	F21W1224-6_	F21T1224-60
	30"	F21M1230-60	F21W1230-6_	F21T1230-60
	36"	F21M1236-60	F21W1236-6_	F21T1236-60
	42"	F21M1242-60	F21W1242-6_	F21T1242-60
	48"	F21M1248-60	F21W1248-6_	F21T1248-60
	54"	F21M1254-60		
	60"	F21M1260-60		
	66"	F21M1266-60		
	72"	F21M1272-60		
24" DEEP SHELF 18" Deep Bracket	24"	F21M1824-60	F21W1824-6_	F21T1824-60
	30"	F21M1830-60	F21W1830-6_	F21T1830-60
	36"	F21M1836-60	F21W1836-6_	F21T1836-60
	42"	F21M1842-60	F21W1842-6_	F21T1842-60
	48"	F21M1848-60	F21W1848-6_	F21T1848-60
	54"	F21M1854-60		
	60"	F21M1860-60		

To specify Veneer Plywood Species replace blank at end of part number with number that indicates material required.

Veneer Plywood Material Options

- 1 = Red Oak
- 2 = White Maple
- 7 = Steamed Beech
- 5 = FSC® Red Oak
- 6 = FSC® White Maple
- 8 = FSC® St'md Beech

Optional Shelf Locking Tab

Sliding tab mounted on Shelf Bracket locks Shelf into Module Upright to keep it from being accidentally removed.

To specify, add an **K** to the end of the Shelf Assembly part number. Example: **F21M1236-00,K**

Module Shelves

Specifications:

Module Shelves are available without Shelf Brackets for custom applications and for replacement. These are the same Shelves that are furnished with Adjustable Module and Pass-Thru Shelf Assemblies except they are not furnished with Shelf Brackets or attachment hardware.

Painted Steel Shelves – 1" thick, formed from 16 gauge cold rolled steel.

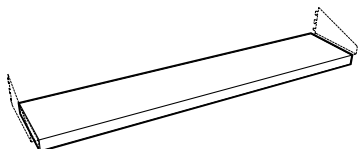
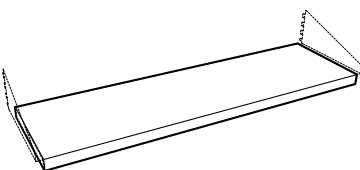
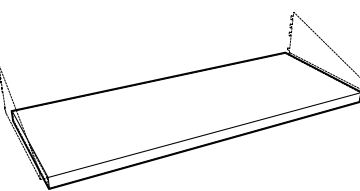
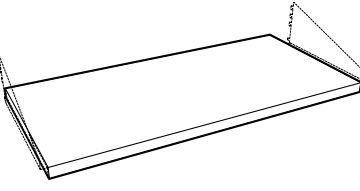
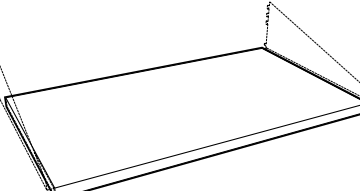
Plywood Veneer Shelves – 1" thick hardwood plywood with matching veneer on all exposed surfaces.

Phenolic Resin – 1" thick black phenolic resin.

Shelf Brackets are available separately.

Actual Shelf Length 3³/₈" less than Module Length

Module Shelves without Shelf Brackets

	Module Length	<i>(actual shelf length 3 1/2" less than module length)</i>		
		Painted Steel	Plywood Veneer	Phenolic Resin
 6" DEEP	24"	F24M0624-00	F24W0624-0	F24T0624-00
	30"	F24M0630-00	F24W0630-0	F24T0630-00
	36"	F24M0636-00	F24W0636-0	F24T0636-00
	42"	F24M0642-00	F24W0642-0	F24T0642-00
	48"	F24M0648-00	F24W0648-0	F24T0648-00
	54"	F24M0654-00		
	60"	F24M0660-00		
	72"	F24M0672-00		
 9" DEEP	24"	F24M0924-00	F24W0924-0	F24T0924-00
	30"	F24M0930-00	F24W0930-0	F24T0930-00
	36"	F24M0936-00	F24W0936-0	F24T0936-00
	42"	F24M0942-00	F24W0942-0	F24T0942-00
	48"	F24M0948-00	F24W0948-0	F24T0948-00
	54"	F24M0954-00		
	60"	F24M0960-00		
	72"	F24M0972-00		
 12" DEEP	24"	F24M1224-00	F24W1224-0	F24T1224-00
	30"	F24M1230-00	F24W1230-0	F24T1230-00
	36"	F24M1236-00	F24W1236-0	F24T1236-00
	42"	F24M1242-00	F24W1242-0	F24T1242-00
	48"	F24M1248-00	F24W1248-0	F24T1248-00
	54"	F24M1254-00		
	60"	F24M1260-00		
	72"	F24M1272-00		
 15" DEEP	24"	F24M1524-00	F24W1524-0	F24T1524-00
	30"	F24M1530-00	F24W1530-0	F24T1530-00
	36"	F24M1536-00	F24W1536-0	F24T1536-00
	42"	F24M1542-00	F24W1542-0	F24T1542-00
	48"	F24M1548-00	F24W1548-0	F24T1548-00
	60"	F24M1560-00		
 18" DEEP	24"	F24M1824-00	F24W1824-0	F24T1824-00
	30"	F24M1830-00	F24W1830-0	F24T1830-00
	36"	F24M1836-00	F24W1836-0	F24T1836-00
	42"	F24M1842-00	F24W1842-0	F24T1842-00
	48"	F24M1848-00	F24W1848-0	F24T1848-00
	60"	F24M1860-00		

To specify Veneer Plywood Species replace blank at end of part number with number that indicates material required.

Veneer Plywood Material Options

- 1 = Red Oak -5 = FSC® Red Oak
- 2 = White Maple -6 = FSC® White Maple
- 7 = Steamed Beech -8 = FSC® St'md Beech

Module Shelves & Shelf Brackets

Specifications:

Module Shelves are available without Shelf Brackets for custom applications and for replacement. These are the same Shelves that are furnished with Adjustable Module and Pass-Thru Shelf Assemblies except they are not furnished with Shelf Brackets or attachment hardware.

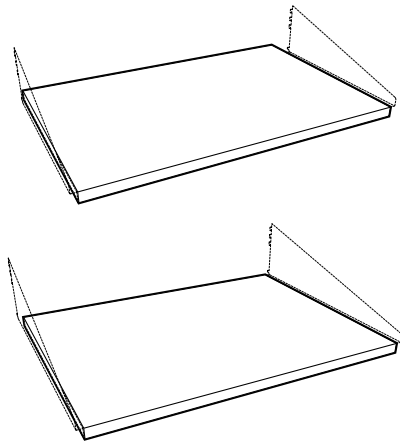
Painted Steel Shelves – 1" thick, formed from 16 gauge cold rolled steel.

Plywood Veneer Shelves – 1" thick hardwood plywood with matching veneer on all exposed surfaces.

Phenolic Resin – 1" thick black phenolic resin.

Shelf Brackets are available separately.

Module Shelves without Shelf Brackets



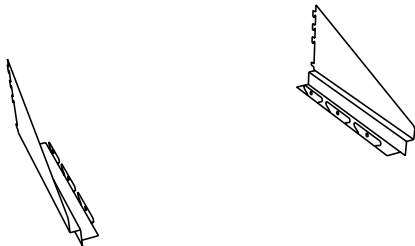
	Module Length	<i>(actual shelf length 3½" less than module length)</i>		
		Painted Steel	Plywood Veneer	Phenolic Resin
21" DEEP	24"	F24M2124-00	F24W2124-0_	F24T2124-00
	30"	F24M2130-00	F24W2130-0_	F24T2130-00
	36"	F24M2136-00	F24W2136-0_	F24T2136-00
	42"	F24M2142-00	F24W2142-0_	F24T2142-00
	48"	F24M2148-00	F24W2148-0_	F24T2148-00
	60"	F24M2160-00		
24" DEEP	24"	F24M2424-00	F24W2424-0_	F24T2424-00
	30"	F24M2430-00	F24W2430-0_	F24T2430-00
	36"	F24M2436-00	F24W2436-0_	F24T2436-00
	42"	F24M2442-00	F24W2442-0_	F24T2442-00
	48"	F24M2448-00	F24W2448-0_	F24T2448-00
	60"	F24M2460-00		

To specify Veneer Plywood Species replace blank at end of part number with number that indicates material required.

Veneer Plywood Material Options

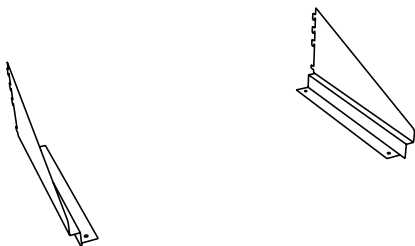
- 1 = Red Oak -5 = FSC® Red Oak
- 2 = White Maple -6 = FSC® White Maple
- 7 = Steamed Beech -8 = FSC® St'md Beech

Shelf Brackets for Steel Shelves (in pairs)



Depth	Shelf Brackets w/o Locking Tabs	Shelf Brackets with Locking Tabs	
6"	F20M0306-00	F20M0306-00K	pair
9"	F20M0409-00	F20M0409-00K	pair
12"	F20M0512-00	F20M0512-00K	pair
18"	F20M0618-00	F20M0618-00K	pair
24"	F20M0724-00	F20M0724-00K	pair

Shelf Brackets for Wood & Phenolic Resin Shelves (in pairs)



Depth	Shelf Brackets w/o Locking Tabs	Shelf Brackets with Locking Tabs	
6"	F20-0306-00	F20-0306-00K	pair
9"	F20-0409-00	F20-0409-00K	pair
12"	F20-0512-00	F20-0512-00K	pair
18"	F20-0618-00	F20-0618-00K	pair
24"	F20-0724-00	F20-0724-00K	pair

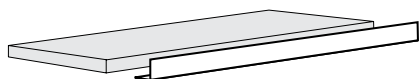
Shelves Retaining Lips & Light Fixtures

Specifications:

Shelf Retaining Lips are designed to be added to Adjustable Core Shelves, Module Shelves, Adjustable Module Shelf Assemblies, and Adjustable Pass-Thru Shelf Assemblies. Steel Shelf Lips may be mounted to steel, wood or phenolic resin shelves with supplied screws.

Under Cabinet Light Fixtures are thin-profile, specification grade, with white, painted steel housing, 1" high by 3½" deep in lengths shown. UL listed and furnished with rocker switch, single outlet, lamp, and six foot cord.

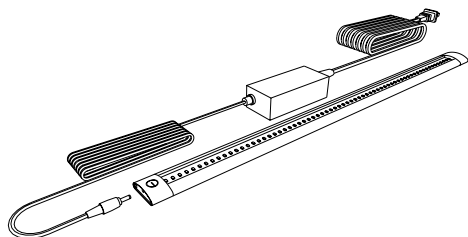
Shelf Retaining Lips



Designed to be added to Adjustable Core Shelves, Module Shelves, Adjustable Module Shelf Assemblies, and Adjustable Pass-Thru Shelf Assemblies. Steel Shelf Lips may be mounted to steel, wood or phenolic resin shelves with supplied screws.

Length	Shelf Lip	
24"	F63M0224-00	each
30"	F63M0230-00	each
36"	F63M0236-00	each
42"	F63M0242-00	each
48"	F63M0248-00	each
54"	F63M0254-00	each
60"	F63M0260-00	each
66"	F63M0266-00	each
72"	F63M0272-00	each

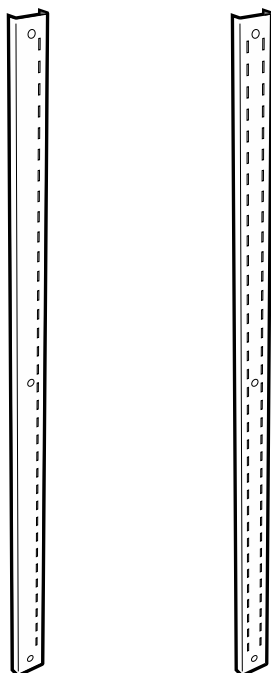
Task Lighting



Part Number	Length
X-030001-00	300mm – 11 ⁷ / ₈ "
X-030002-00	500mm – 19 ⁵ / ₈ "
X-030003-00	1000mm – 39 ³ / ₈ "

LED Task Lighting consists of a thin-profile, white, LED strip, 9.5mm high by 33mm deep with a touch dimmer switch. It is UL listed and furnished with 120 VAC to 24 VDC power supply with ten foot power cord. The light includes a magnetic mounting strip for mounting to steel shelving and integral tabs for mounting to wood and plastic laminate.

Shelving Uprights



Painted Steel Uprights

Length	Single Slot Upright	Double Slot Upright	
24"	F13M000224-00	F12M000224-00	each
30"	F13M000230-00	F12M000230-00	each
36"	F13M000236-00	F12M000236-00	each
42"	F13M000242-00	F12M000242-00	each
48"	F13M000248-00	F12M000248-00	each
72"	F13M000272-00	F12M000272-00	each
79"	F13M000279-00	F12M000279-00	each
84"	F13M000284-00	F12M000284-00	each

Stainless Steel Uprights

Length	Single Slot Upright	Double Slot Upright	
24"	F13S000224-00	F12S000224-00	each
30"	F13S000230-00	F12S000230-00	each
36"	F13S000236-00	F12S000236-00	each
42"	F13S000242-00	F12S000242-00	each
48"	F13S000248-00	F12S000248-00	each
72"	F13S000272-00	F12S000272-00	each
79"	F13S000279-00	F12S000279-00	each
84"	F13S000284-00	F12S000284-00	each

Designed to be used with Adjustable Module Shelving Assemblies to create wall mounted shelving.